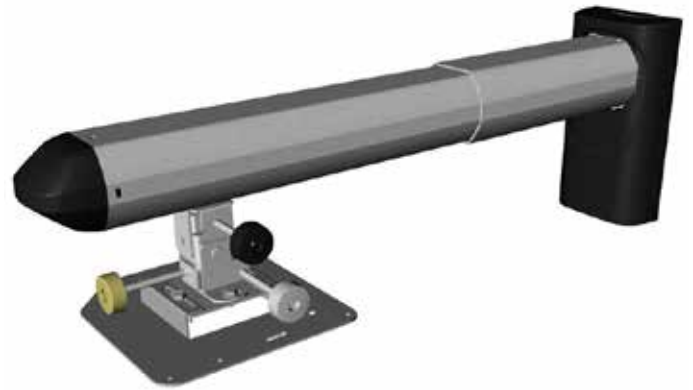


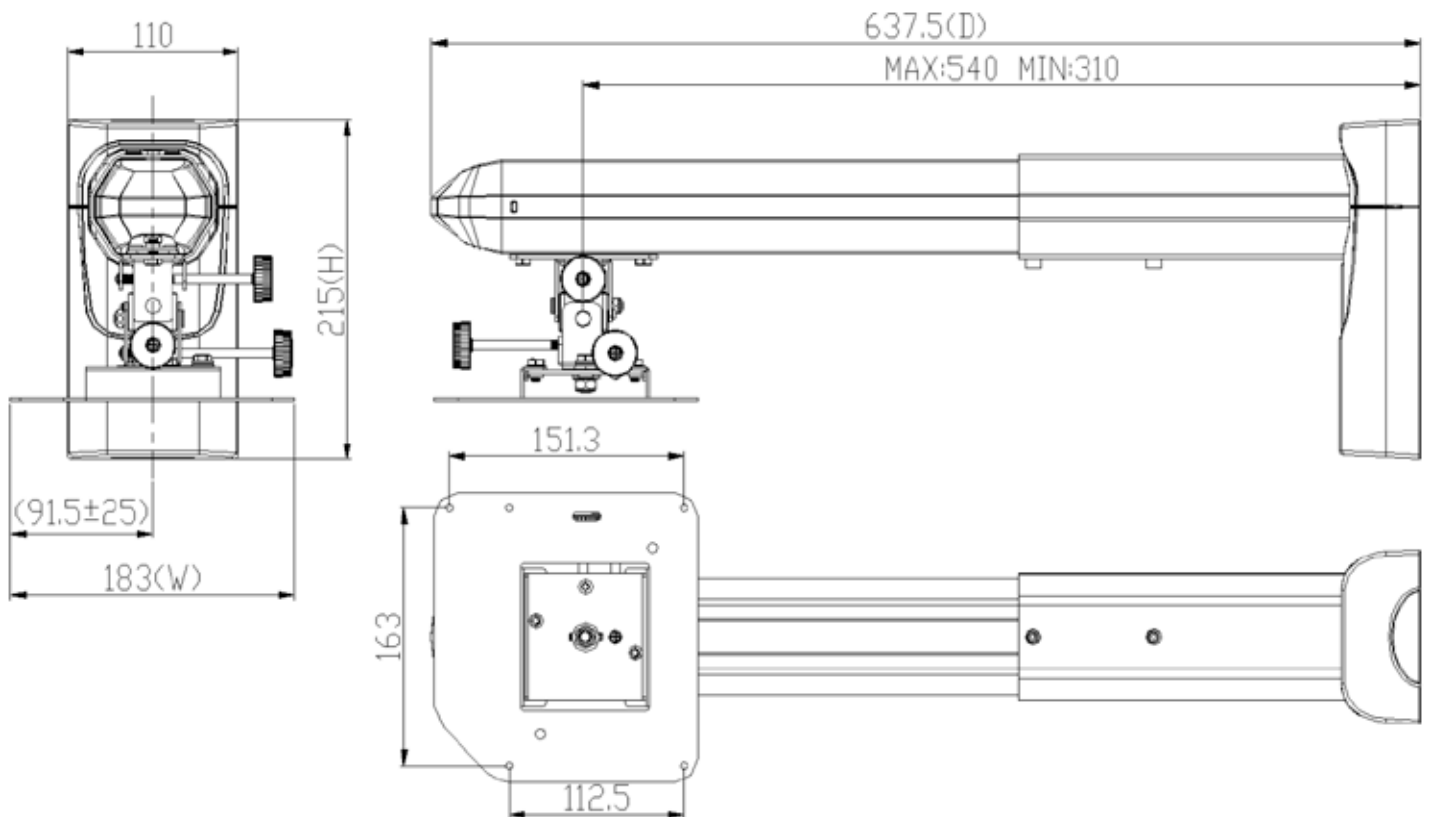
i3PROJECTOR MOUNT SMALL (MAX 637.5MM)

SPECIFICATIONS

Screw type	M4
Material	Steel/Aluminium Alloy/Plastic
Dimension (W x H x D)	183*215*637.5 mm
Weight (net)	2.90 kg
Swivel	+/- 10°
Support Max. Weight	15 kg
Max. Distance to the wall	540 mm
Wall mount tilt angle	Up to 5°
Projector tilt angle	+/- 10°
Horizontal	+/- 25mm
Horizontal angle	+/- 10°



TECHNICAL DRAWING



AUTHORISED DISTRIBUTOR



